

Vision is
our mission®

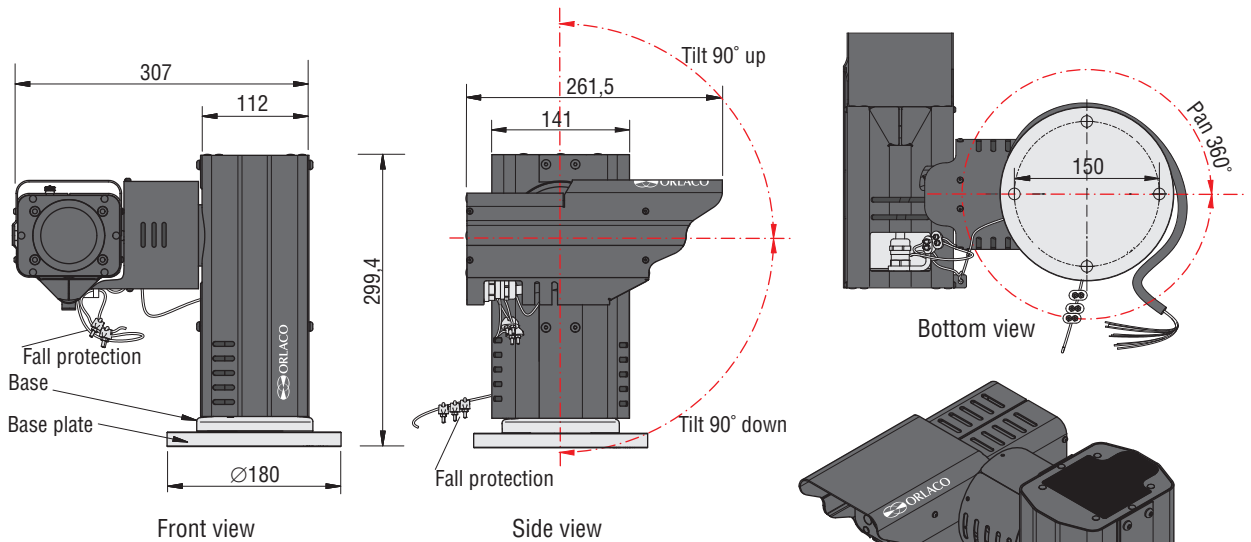
Camera PTZ HD-E Alu
Article no. 0506811
2020 • DS0961320 EN A 06

Product Data



- HD image sensor
- Video streaming over TCP/IP

Dimensions



Fall protection
Base
Base plate

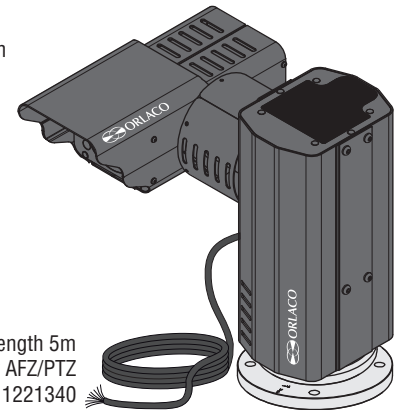
Front view

Side view

Bottom view

Units in mm

Cable length 5m
Cable Ethernet AFZ/PTZ
Art. no. 1221340



TECHNICAL DATA

Camera PTZ HD-E Alu

Article number	Description 0506811	Streaming Management	RTP, HTTP. RTSP, HTTP, HTTPS, Bonjour, NTP, Telnet, FTP, SNMP.
	General Pan Tilt unit including digital full HD zoom camera with ethernet interface. The Pan & Tilt unit functions via two industrial steppingmotors. These stepping motors are controlled by the integrated micro-controller. The camera has a web GUI interface (HTTP or HTTPS). Control and view of the camera is done over TCP/IP in a computer network.	PTZ integration	Pelco D.
	Sensor 1/2.8 Type Exmor CMOS Sensor. 2.38 Megapixels. 30x Zoom F=4.3mm (WIDE) to 129mm (TELE), F1.6 to F4.7.	Input voltage range	Electrical 18...30VDC.
Imager		Power consumption	Heating on: 23W & Heating off: 18W.
Picture elements		Communication	Ethernet.
Lens		Cable	Art. no. 1221340; Cable Ethernet AFZ/PTZ, 5,0m, open wired. Length between camera and switch; Max 60m.
Angle of view (H)	±63.7° (wide end), ±2.3° (tele end).	Pan angle	PTZ Total 360°, 180° left, 180° right.
Min. working distance	10 mm (WIDE end), 1200 mm (TELE end).	Tilt angle	Total 180°, 90° up, 90° down.
Min. illumination	(50%, High Sensitivity Mode ON). ICR-Off mode: 0.01lx, 1/30s. ICR-ON mode: 0.0015lx, 1/30s.	Backlash PTZ	1°.
		Fixed camera pos	32 preset camera positions, preset tolerance: <1°.
S/N ratio	>50 dB.	Pan & Tilt speed	12,5°/sec.
		Construction	Mechanical Stainless steel 316 mounting parts, anodised aluminium housing and sun cover, suitable for mobile applications with shocks and vibrations. 1,4 Bar overpressure filled with dry nitrogen.
Standards	H.264 High, Main and Baseline profiles, Motion JPEG.	Ingress protection	Corrosion proof housing according to MIL-A-8625E (Acetic Acid Salt Spray Test), IP68 according to IEC 60529, Dust tight and protected against the effects of immersion in water up to 10m for 30 minutes and IP69K according to DIN 40050-9, camera can withstand a high pressure cleaning with water: 14-16L/min 80°C and 100 Bars flow.
Data rate	64 kbps to 10 Mbps per channel (requires less than 1 Mbps at 4CIF/30fps)	Operating temperature	-40°C to +60°C.
Resolutions	Up to HD 720p at 60 fps / 1080p at 30 fps (16:9).	Weight	6,8 kg.
Latency	< 200ms. (Latency measured at 720p at 60 fps).		
Startup time	<100sec.		
Networking	Protocols IPv4/v6, UDP, TCP, IGMP, ICMP, ARP, DHCP, DNS.		

NB

Cable lengths are restricted; S/FTP cable (not included) max 100m point to point. See Installation Manual; **IM0973550**.

Certification

Green Passport All materials are compliant to Green Passport requirements according IMO resolution MEPC.197(62) as adopted on 15 July 2011 (Maritime sector:International Maritime Organization concerning the functions of the Marine Environment Protection Committee).

Electrical connections

Cable Ethernet AFZ/PTZ, Art. No. 1221340

1. Brown	N.C.	9. Black/white	P&T Power 0V in
2. Blue	N.C.	10. Red	Camera power 12/24V in
3. Black/blue	N.C.	11. Black	Camera power 0V in
4. Red/blue	N.C.	12. Orange/white	Ethernet TX+
5. Blue	Serial - 1*	13. Orange	Ethernet TX-
6. White	Serial - 2*	14. Green/white	Ethernet RX+
7. Grey	Serial 0V	15. Green	Ethernet RX-
8. Red/white	P&T Power 24V in		

All data subject to change without notice. All dimensions are for commercial purpose only.

The camera/display systems from Orlaco comply with the latest CE, ADR, EMC and mirror-directive regulations, where applicable.

All products are manufactured in accordance with the ISO 9001 quality management system, IATF 16949 quality automotive, ISO 14001 environmental management systems and all Ex products with the IECEx scheme and ATEX directives, where applicable.

